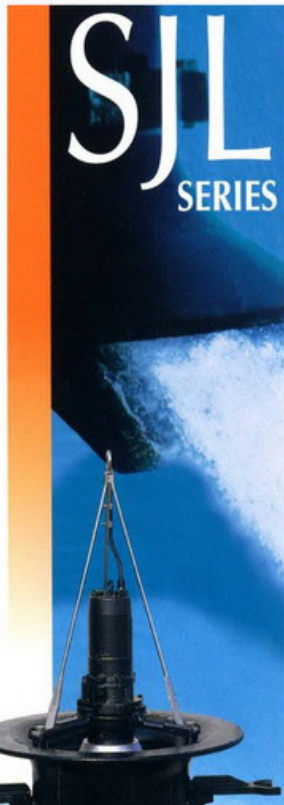


ShinMaywa

Submersible Aerator

SJ·SJL/SU·JSA series



Aeration can be stirred

Self-Priming Water Aerator JSA Series

Causing a negative pressure in the casing of the water impeller developed a self-priming aerator water can be stirred by self-priming air aeration.

This series expansion in Southeast Asia as a product, target market and to Thailand in particular. In recent years Thailand has increased housing construction, and self-priming aerator is required for easy installation work as an agitator for aeration of septic tanks.

This series, by adopting a special Impeller casing, itself performed only by aeration agitation, aeration air volume performance even able to achieve a high MLSS concentration. Submersible pump motors and four facet of proven durability and reliability for even the adoption of SiC mechanical seal capable of continuous operation for two years and the review of oil, and excellent maintenance of the installation process.

«Feature»

(1) High-Performance self-priming air quantity By generating a high negative pressure in the casing impeller special performance is achieved with high self-priming air quantity.

(2) Even MLSS concentration

Tank bottom is stirred by discharging a jet, do so in the tank stirred by the bubbles upward finer MLSS concentration distribution is uniform.

(3) High reliability and durability

Submersible pump motor, proven, fiber cable seal, mechanical seal (End face 4 SiC) has been improved reliability and durability, such as adoption.

(4) Easy installation work

The installation work, install the plumbing for the intake to the body to easily put them in the tank.

(5) Maintenance-friendly design

Oil change in an up right position, and good maintenance of the motor can be inspected.

« Look »



Figure 1. Exterior body

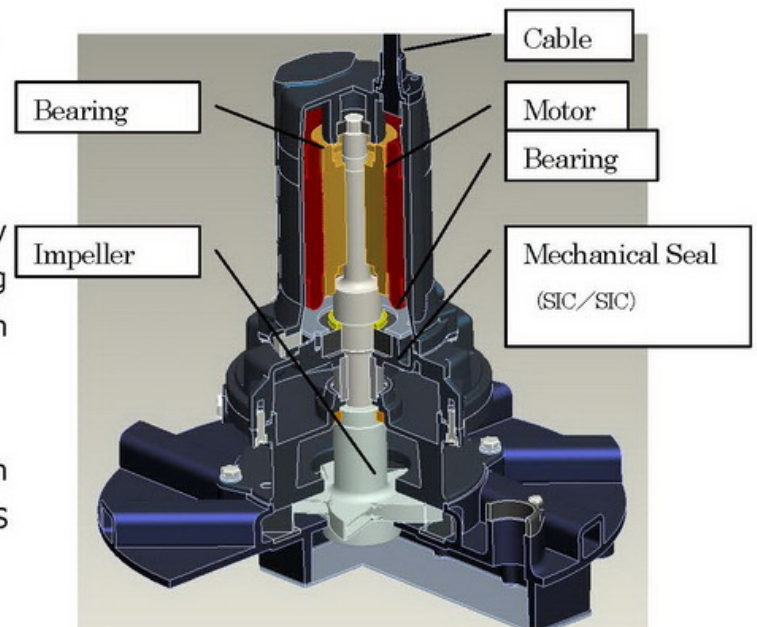
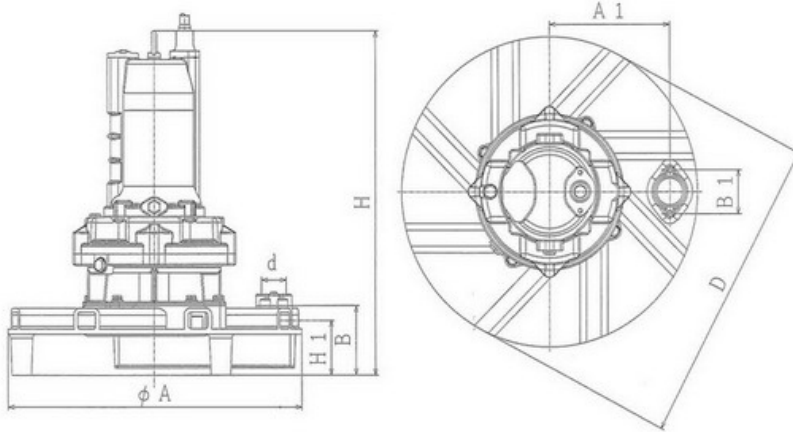


Figure 2. Structure

JSA Self - Priming

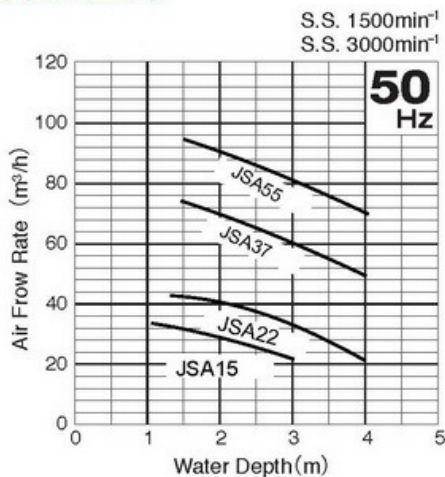
■ Dimensions



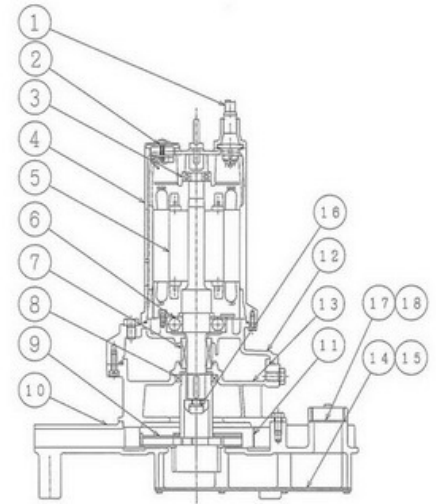
Dimension Table

Model	Output (kW)	d	A	A1	B	B1	D	H	H1	Weight (kg)
JSA15	1.5	32	500	205	110	70	500	600	95	65
JSA22	2.2	50	596	230	134	85	596	650	105	98
JSA37	3.7	50	596	242	134	85	596	661	105	115
JSA55	5.5	50	610	260	134	85	610	661	105	150

Performance Curve



■ Section view



● Material list

No.	Part name	Material
1	Cable	VCT
2	Auto Cut	—
3	Ballbearing (Upper)	—
4	Stator Casing	FC200
5	Motor Shaft	SUS420J2
6	Ballbearing (Lower)	—
7	Mechanical seal	SiC x SiC
8	Oil seal	NBR
9	Impeller	SCS13
10	Casing	FC200
11	Wearing Ring	NBR
12	Oil Casing	FC200
13	Mechanical bracket	FC200
14	Bottom Plate	SUS304
15	Bottom Plate Packing	NBR
16	Impeller Support	-
17	Companion Flange	FC200
18	Packing	NR

Model	Output (kW)	V	P	Ins	Air Volume-Depth	Oxygen Supply	Max Depth
					m ³ /h-m	kg-O ₂ /h	m.
JSA15	1.5	380	2	F	23-3	2-1	3
JSA22	2.2		36-3		3-2	4	
JSA37	3.7		4		60-3	5-3	4
JSA55	5.5		82-3		9-5	4	

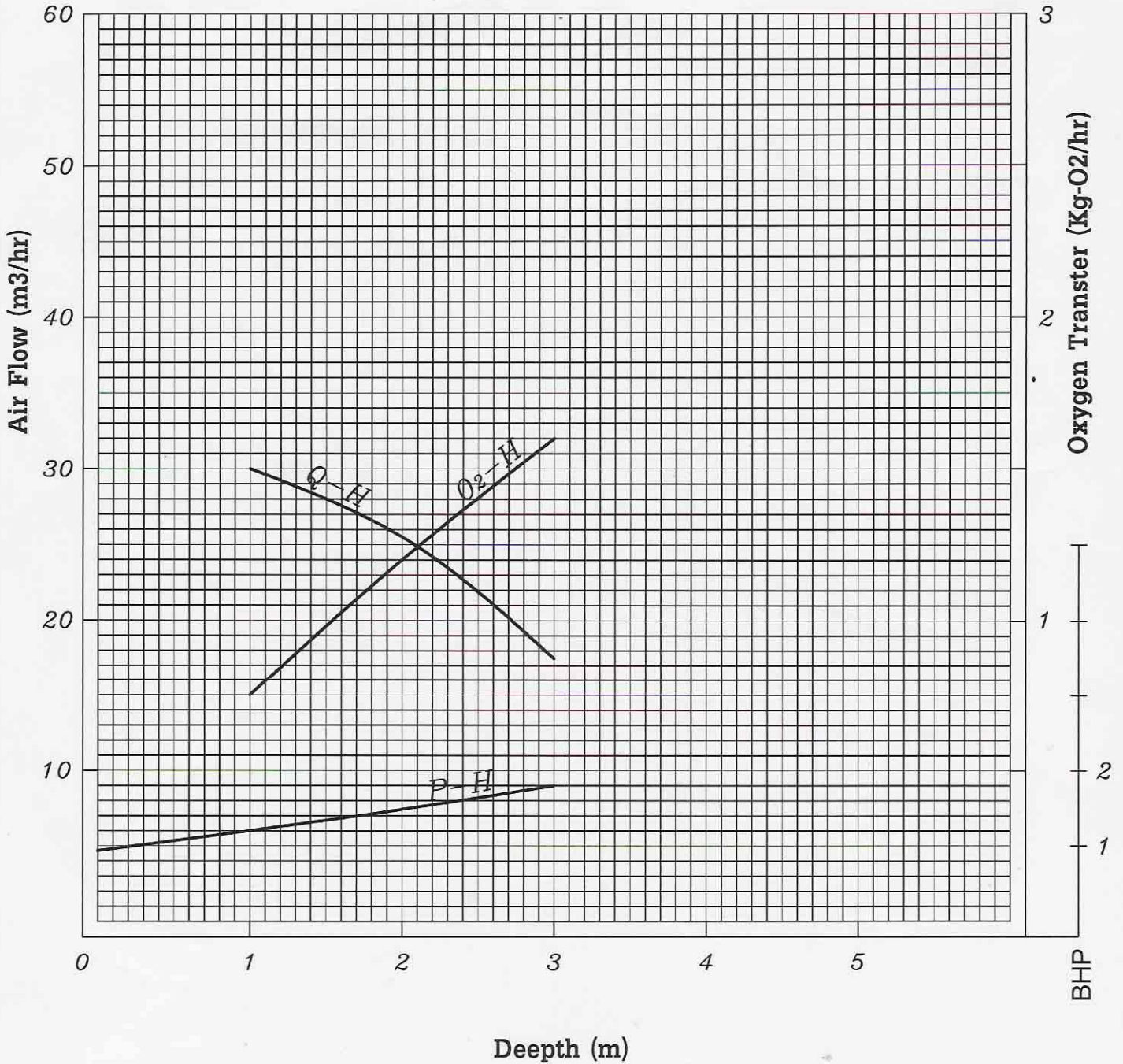
ShinMaywa

PERFORMANCE CURVE

TYPE

JSA15

OUTPUT		POLE-Hz	SUC.		DIS.		DEPTH M	CONVECTIVE DIAMETER M
HP	KW		inch	mm	inch	mm		
2	1.5	2 - 50	1 1/2	40			3	2



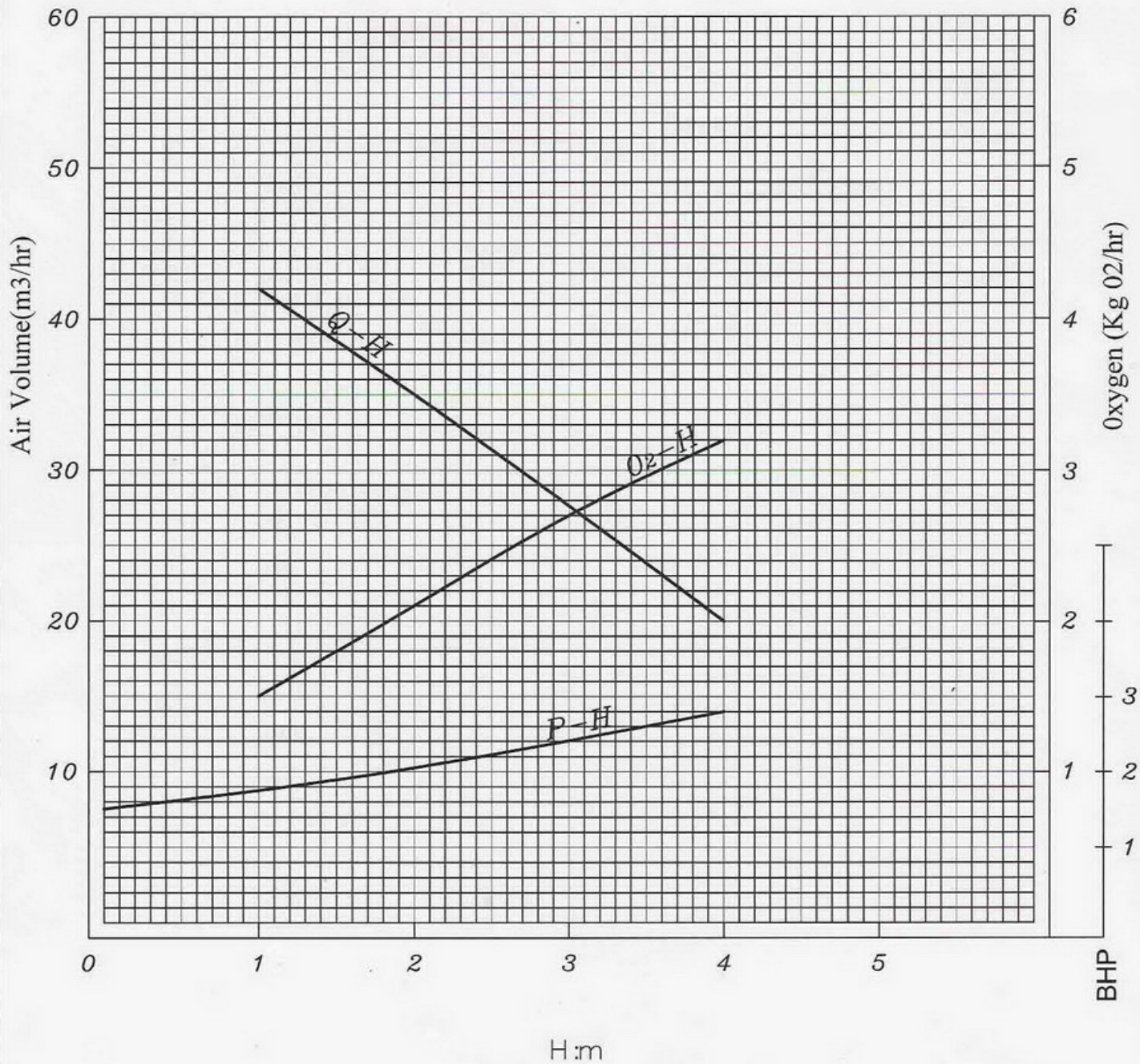
DWN		200203
CHKD		
APPD		

ShinMaywa

DRAWING NO.

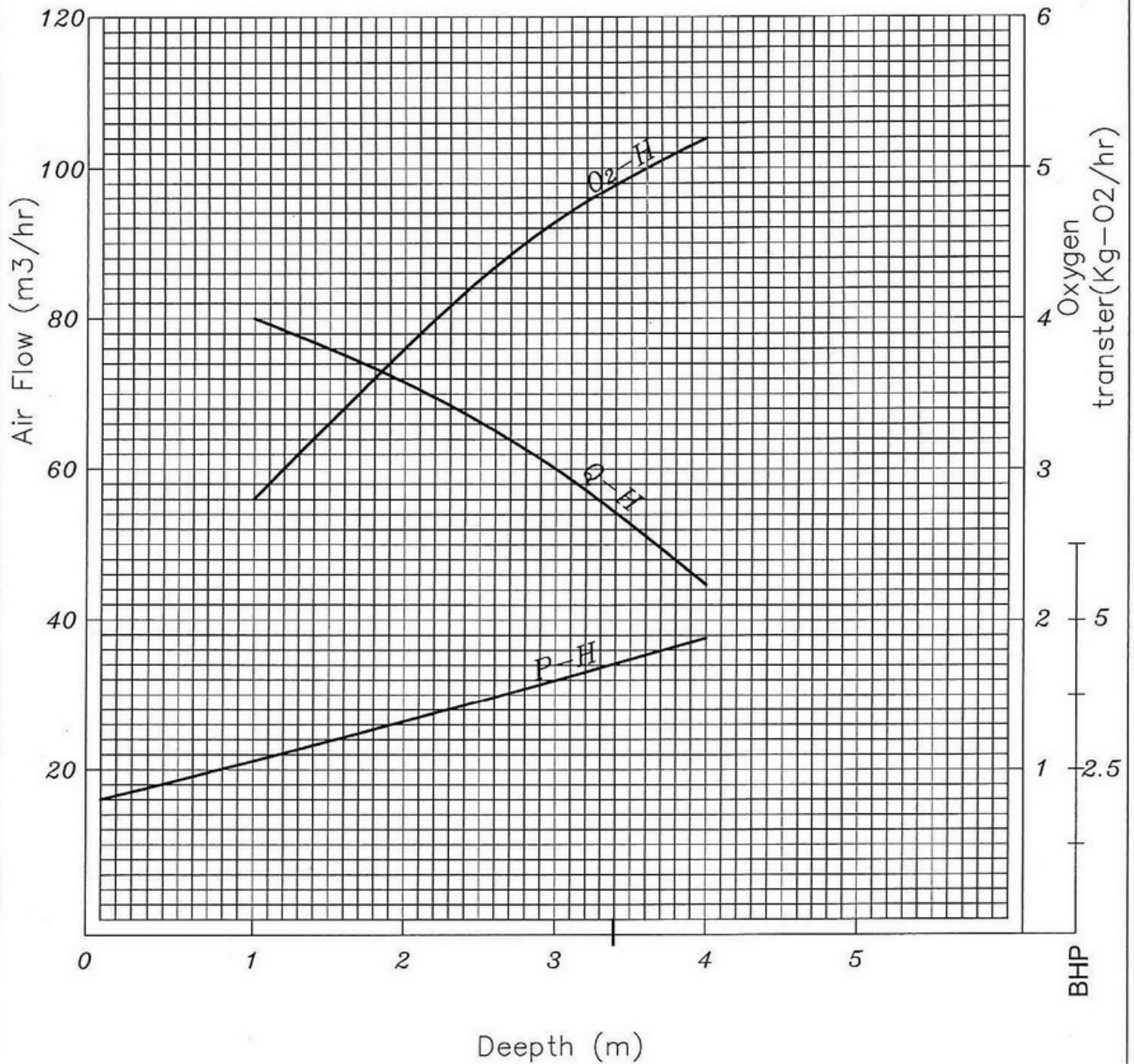
8A02450L1301

ShinMaywa		PERFORMANCE CURVE				TYPE		
						JSA22		
OUTPUT		POLE-Hz	SUC.		DIS.		DEPTH M	CONVECTIVE DIAMETER M
HP	KW	4-50	inch	mm	inch	mm	4	5
3	2.2		2	50				



DWN	200203	ShinMaywa	DRAWING NO.
CHKD			8A0345021301
APPD			

ShinMaywa		PERFORMANCE CURVE					TYPE	
							JSA37	
OUTPUT		POLE-Hz 4-50	SUC.		DIS.		DEPTH M 4	CONVECTIVE DIAMETER M 6
HP	KW		inch	mm	inch	mm		
5	3.7		2	50	-	-		



DWN		ShinMaywa	DRAWING NO.
CHKD			JSA37291010
APPD	Kabashima		

ShinMaywa

PERFORMANCE CURVE

TYPE

JSA55

OUTPUT

POLE-Hz

SUC.

DIS.

DEPTH

CONVECTIVE

HP

KW

inch

mm

inch

mm

M

DIAMETER

7.5

5.5

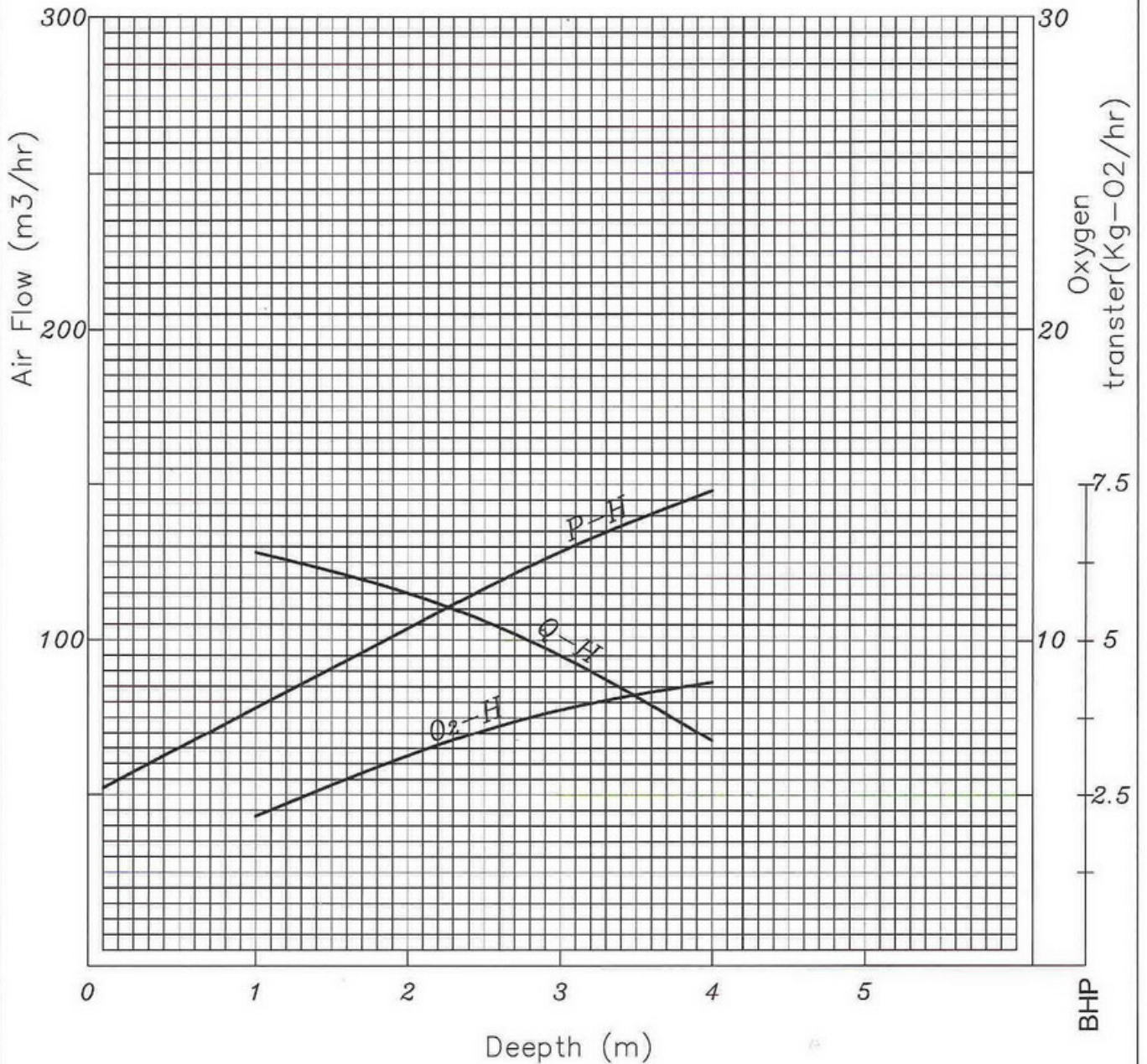
4 - 50

2

50

4

7



DWN

200203

CHKD

APPD

P-JSA55-02

ShinMaywa

DRAWING NO.

8A07450M1301

Submersible Aerator **SJ** Series



▲SJ8-P

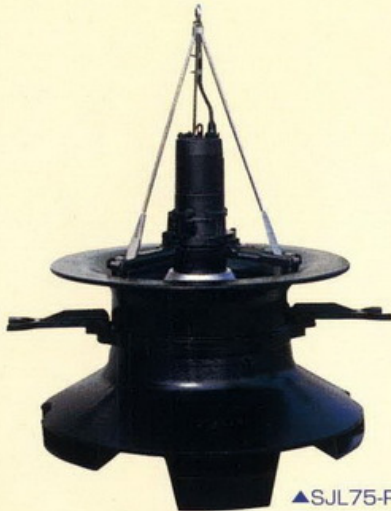


▲SJ37-P



▲SJ75-P

Submersible Aerator **SJL** Series



▲SJL75-P



▲SJL300-P

Submersible Aerator **SU** Series



▲SU-P



▲SU-F



Self-Priming Aerator **JSA** Series



JSA15



JSA37

Specifications and dimensions are subject to change without notice.

ShinMaywa Industries, Ltd.

Overseas Sales Department 2-43, Shitte 3-chome, Tsurumi-ku, Yokohama-shi, 230-0003, Japan
Phone : +81-45-584-1321 Fax : +81-45-584-1320



ShinMaywa ONO PLANT

ISO 9001 (No. 956445) / ISO 14001 (No. 771888)