

Open impeller centrifugal pumps with the hydraulic element manufactured from stainless steel AISI 304, suitable for suspended solids handling food process e.g. washing vegetables, meats, and fish. Industrial washing machines that may contain solids e.g. bottles, jars, glasses & crates. Process applications such as paint plants & general dirty liquid handling.



SPECIFICATIONS

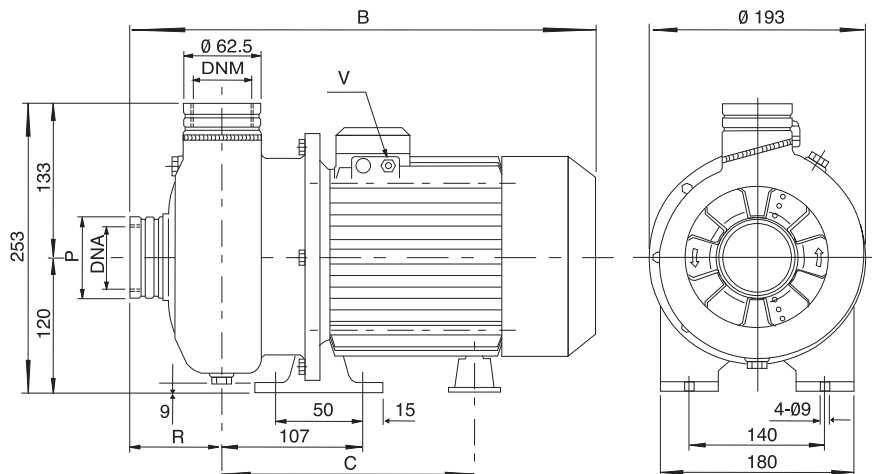
- * Maximum working pressure: 8 bar
- * Maximum liquid temperature: 90°C
- * Passage of solids: maximum diameter of 19 mm

MATERIALS

- * Pump body, casing cover, impeller and shaft in AISI 304
- * Bracket and motor casing in cast iron
- * Mechanical seal in carbon/ceramic/NBR
- * Special mechanical seal are available on demand

TECHNICAL DATA

- * T.E.F.C. 2 poles motor
- * Insulation class F
- * Protection degree IP55
- * 1~230V ± 10% 50Hz, 3-230/400V ± 10% 50Hz
- * Permanent split capacitor and automatic thermal overload protection for single-phase version
- * Thermal protection to be provided by the user for three-phase version
- * DNM 2"

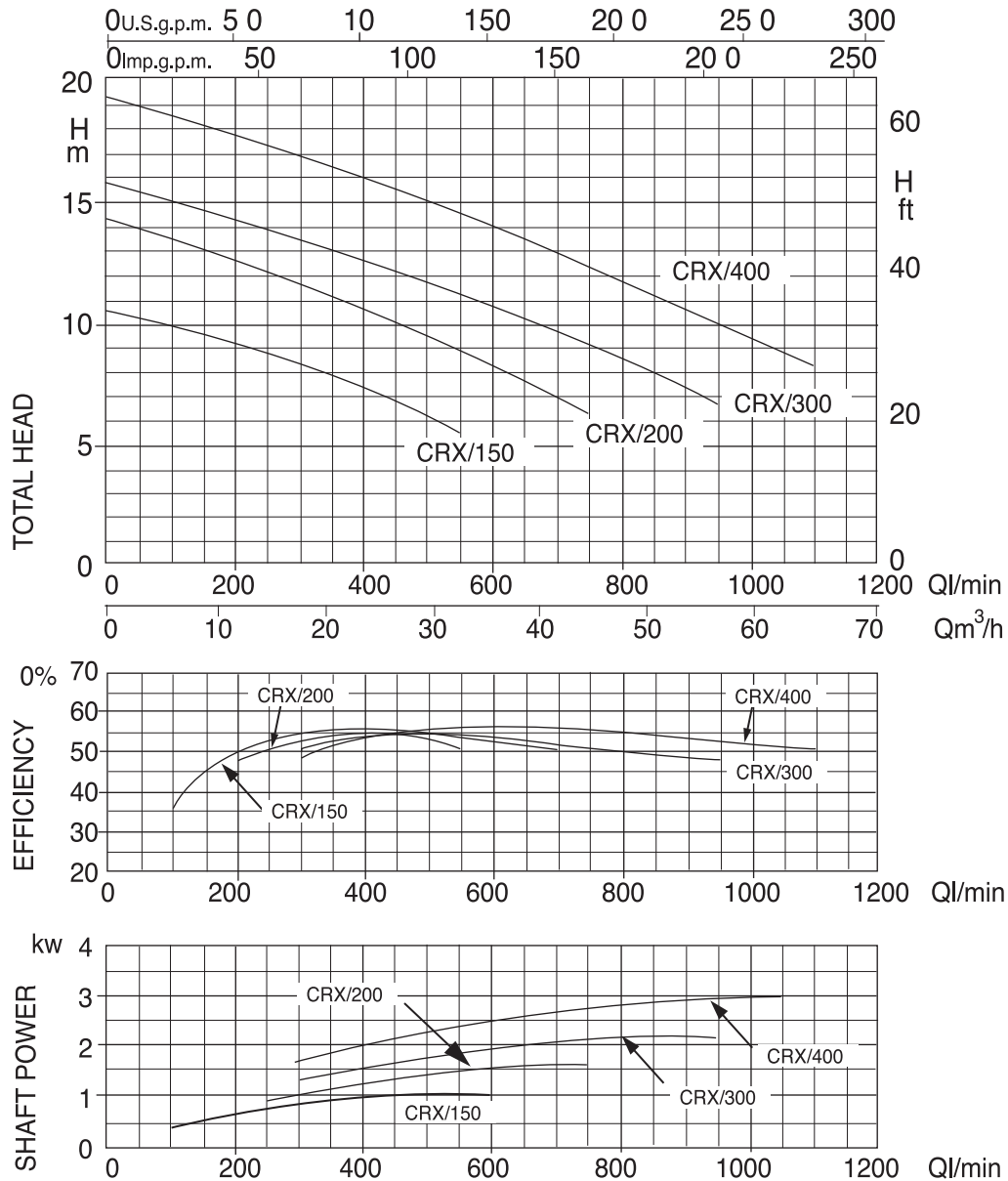


DIMENSIONAL TABLE

Pump type		Dimensions (mm)							Weight Kg	
		B	C	R	P	DNA	DNM	V	1~	3~
Single-phase CRX/150	Three-phase									
	CRX/150	364	198,5	74	62,5	2"	2"	PG11	15	15
	CRX/200	364	198,5	74	62,5	2"	2"	PG11	-	16
	CRX/300	390	215,5	78	80	2 1/2"	2"	G 3/8	-	22
	CRX/400	415	240,5	78	80	2 1/2"	2"	G 3/8	-	23

PERFORMANCE CURVES

series (according to ISO 9906 grade 2)



PERFORMANCE TABLE

Pump type		kW	Capacitor		Absorbed Current (A)			Q=Capacity	Q=Capacity									
Single-phase 230V 50Hz	Three-phase 230/400V 50Hz		μF	Vc	Single-phase	Three-phase 230V 400V			l/min m³/h	100	200	300	400	550	700	800	950	1100
CRX/150	CRX/150	1,1	31,5	450	6,6	5,6	3,2	H/MT	11	10	9	8	6	-	-	-	-	
	CRX/200	1,5	-	-	-	7,3	4,2		13	12	11	10	9	7	-	-	-	
	CRX/300	2,2	-	-	-	8,3	4,8		15	14	13	12	11	10	9	7	-	
	CRX/400	3,0	-	-	-	11,6	6,7		19	18	17	16	15	13	12	10	8	