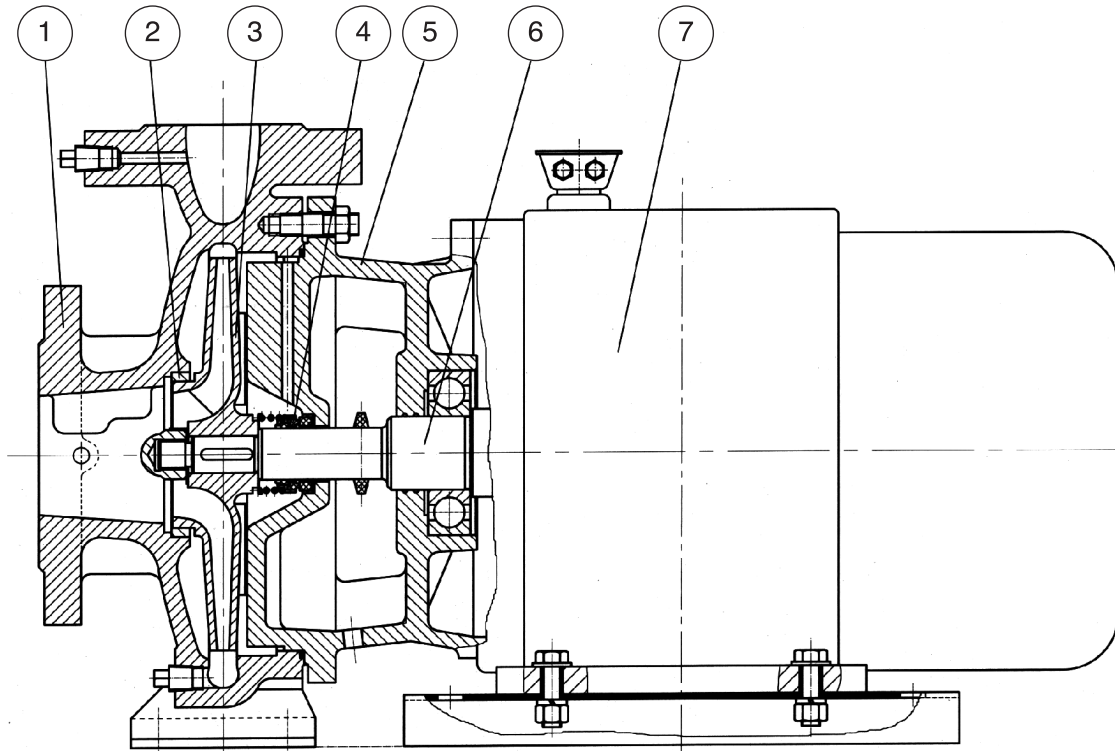
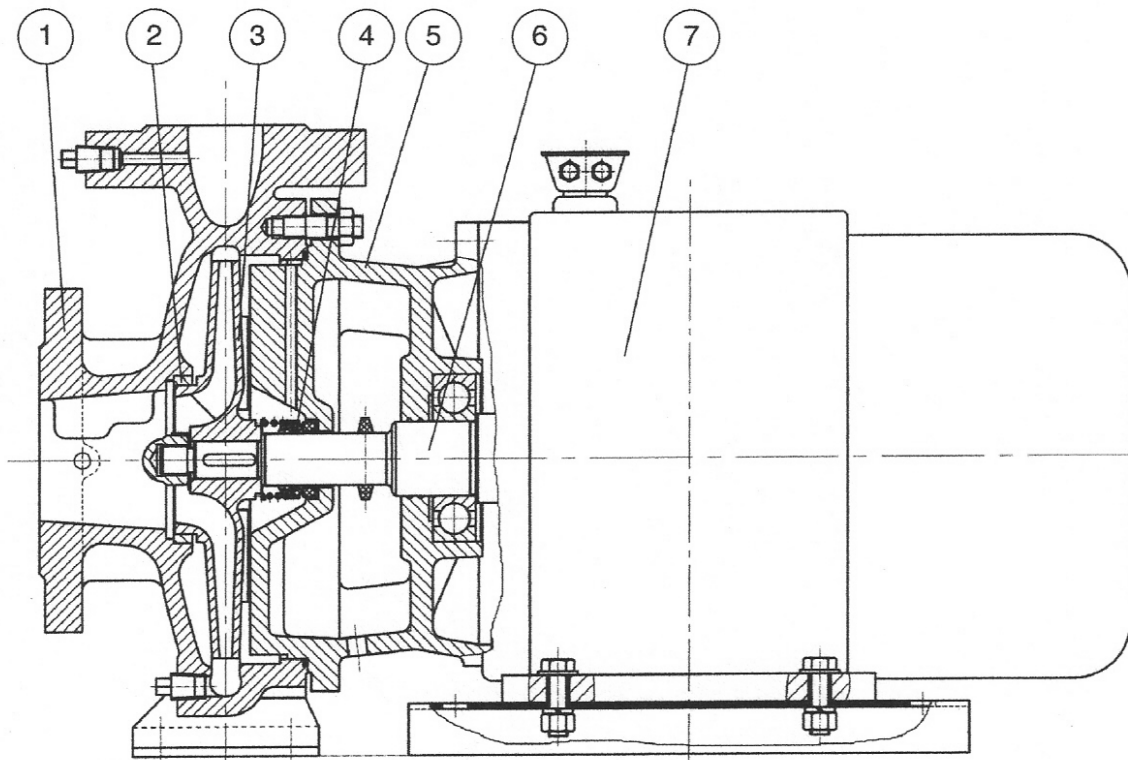


**PARTS LIST**

No.	Part Name
1	Casing
2	Casing Wear Ring
3	Impeller
4	Mechanical Seal
5	Bracket
6	Shaft
7	Motor

**PARTS LIST**

No.	Part Name
1	Casing
2	Casing Wear Ring
3	Impeller
4	Mechanical Seal
5	Bracket
6	Shaft
7	Motor

## ***STAC CLOSED COUPLED PUMP TYPE N2***

SPARE PARTS FOR N2	EPDM O-RING (ID Diameter)	BEARINGS
32-16/200	Dia. 175 x 3.1 mm	6205ZZ + 6205ZZ
32-16/300	Dia. 175 x 3.1 mm	6205ZZ + 6205ZZ
32-16/400	Dia. 175 x 3.1 mm	6206ZZ + 6206ZZ
32-20/550	Dia. 215 x 3.1 mm	6206ZZ + 6206ZZ
32-20/750	Dia. 215 x 3.1 mm	6208ZZ + 6308ZZ
32-20/1000	Dia. 215 x 3.1 mm	6208ZZ + 6308ZZ
32-26/1500	Dia. 265 x 3.1 mm	6308ZZ + 6308ZZ
32-26/2000	Dia. 265 x 3.1 mm	6209ZZ + 6309ZZ
40-16/400	Dia. 175 x 3.1 mm	6206ZZ + 6206ZZ
40-16/550	Dia. 175 x 3.1 mm	6206ZZ + 6206ZZ
40-20/750	Dia. 215 x 3.1 mm	6208ZZ + 6308ZZ
40-20/1000	Dia. 215 x 3.1 mm	6208ZZ + 6308ZZ
40-26/1500	Dia. 265 x 3.1 mm	6308ZZ + 6308ZZ
40-26/2000	Dia. 265 x 3.1 mm	6209ZZ + 6309ZZ
50-13/300	Dia. 140 x 3.1 mm	6205ZZ + 6205ZZ
50-13/400	Dia. 140 x 3.1 mm	6206ZZ + 6206ZZ
50-13/550	Dia. 140 x 3.1 mm	6206ZZ + 6206ZZ
50-16/750	Dia. 175 x 3.1 mm	6208ZZ + 6308ZZ
50-16/1000	Dia. 175 x 3.1 mm	6208ZZ + 6308ZZ
50-20/1500	Dia. 215 x 3.1 mm	6308ZZ + 6308ZZ
50-20/2000	Dia. 215 x 3.1 mm	6209ZZ + 6309ZZ
50-26/3000	Dia. 265 x 3.1 mm	6311ZZ + 6311ZZ
65-14/750	Dia. 175 x 3.1 mm	6208ZZ + 6308ZZ
65-14/1000	Dia. 175 x 3.1 mm	6208ZZ + 6308ZZ
65-16/1500	Dia. 175 x 3.1 mm	6308ZZ + 6308ZZ
65-16/2000	Dia. 175 x 3.1 mm	6209ZZ + 6309ZZ
65-20/2000	Dia. 215 x 3.1 mm	6209ZZ + 6309ZZ
65-20/2500	Dia. 215 x 3.1 mm	6209ZZ + 6309ZZ
65-20/3000	Dia. 215 x 3.1 mm	6311ZZ + 6311ZZ
80-16/1500	Dia. 175 x 3.1 mm	6308ZZ + 6308ZZ
80-16/2000	Dia. 175 x 3.1 mm	6209ZZ + 6309ZZ
80-16/2500	Dia. 175 x 3.1 mm	6209ZZ + 6309ZZ
80-16/3000	Dia. 175 x 3.1 mm	6311ZZ + 6311ZZ